

Introduction

As of today, the new PDM series will be available at CCS. The PDM series combines three different lighting types, namely dome lighting, low-angle lighting, and coaxial lighting. Because each type of lighting is individually adjustable, the PDM series is able to provide you with optimal lighting at any time.



Specifications

Illumination part	Power consumption
Coaxial illumination part	Red: 3.1 W, White: 2.2 W, Blue/Green: 2.7 W
Dome illumination part	Red: 10.2 W, White: 14 W, Blue/Green: 13 W
Low-angle illumination part	Red: 4.6 W White/Blue/Green: 6.1 W

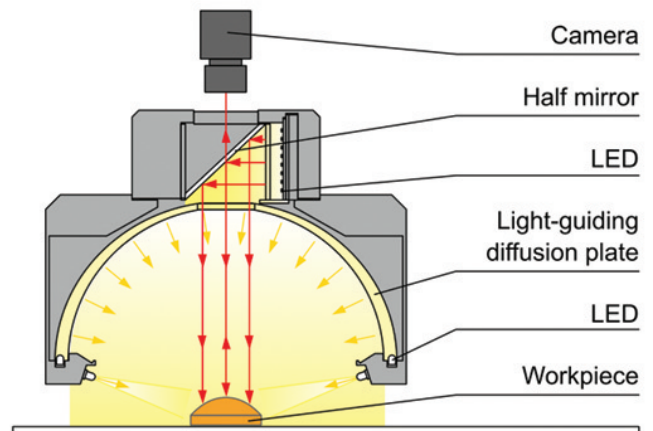
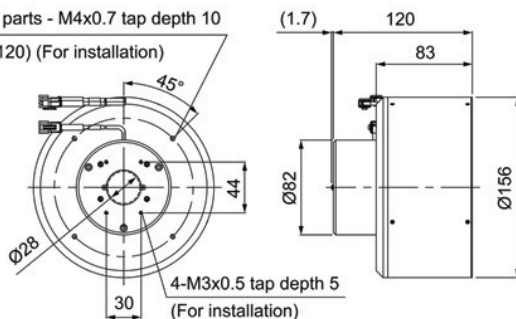
If adjusting the intensity for each part separately, use a 3-channel Control Unit.

You can change the connectors of the LightUnit cable. Choose between M12 connectors and flying leads.

Measurements

PDM-150-15RD2/SW2/BL2/GR2

4 equal parts - M4x0.7 tap depth 10
(P.C.D.120) (For installation)



For further information, please contact CCS Europe NV at +32-2-333-0080, or send an e-mail to info@ccseu.com