



PoE Ring LED Light



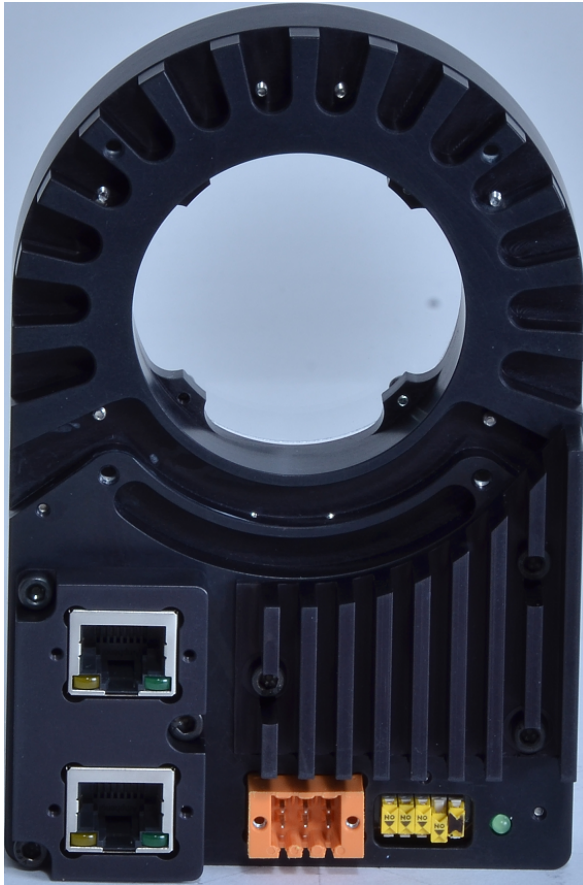
IMPERX offers a range of **PoE powered*** Ring LED lights.

Available LED Colors:

- White – 5650K
- RED – 627 nm
- Optional upon request
 - Yellow/Lime – 568 nm
 - Green – 530 nm
 - Blue – 470 nm (447 nm)



PoE Ring LED Light

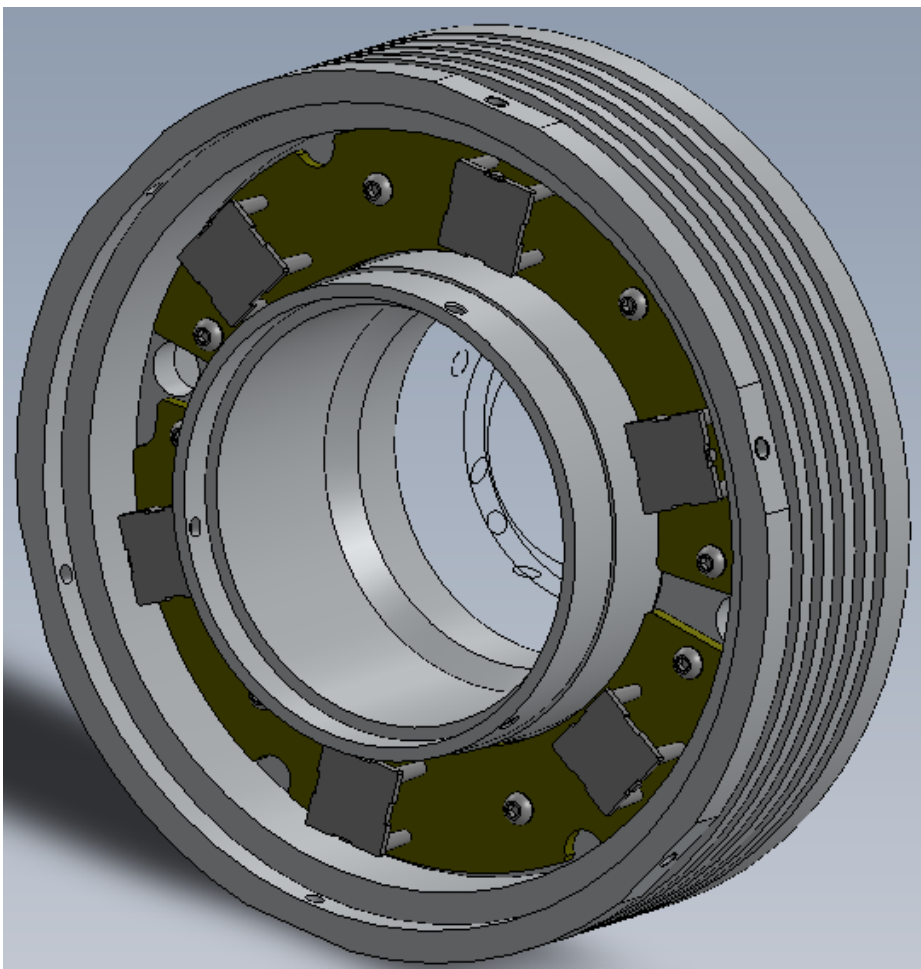


IMPERX PoE Ring LED Lights – one cable solution

- One CAT 5e/6 cable interface for Light and Camera
- Input – GigE PoE/PoE+;
- Output – GigE (DATA) and 20V/1A to the cameras
- Small ring size – 87/50 (OD/ID) mm – available now
- Internal or External (PWM) brightness control
 - Continuous optical power – 10,000 lux/0.5m
 - 16 brightness steps
- LED brightness control from the camera
- Easy camera mount
 - Mounting brackets
 - M46/0.75 step ring interface for easy lens mount (optional)
- Thermal shutdown – LED temperature indicator



Non PoE Ring LED Light



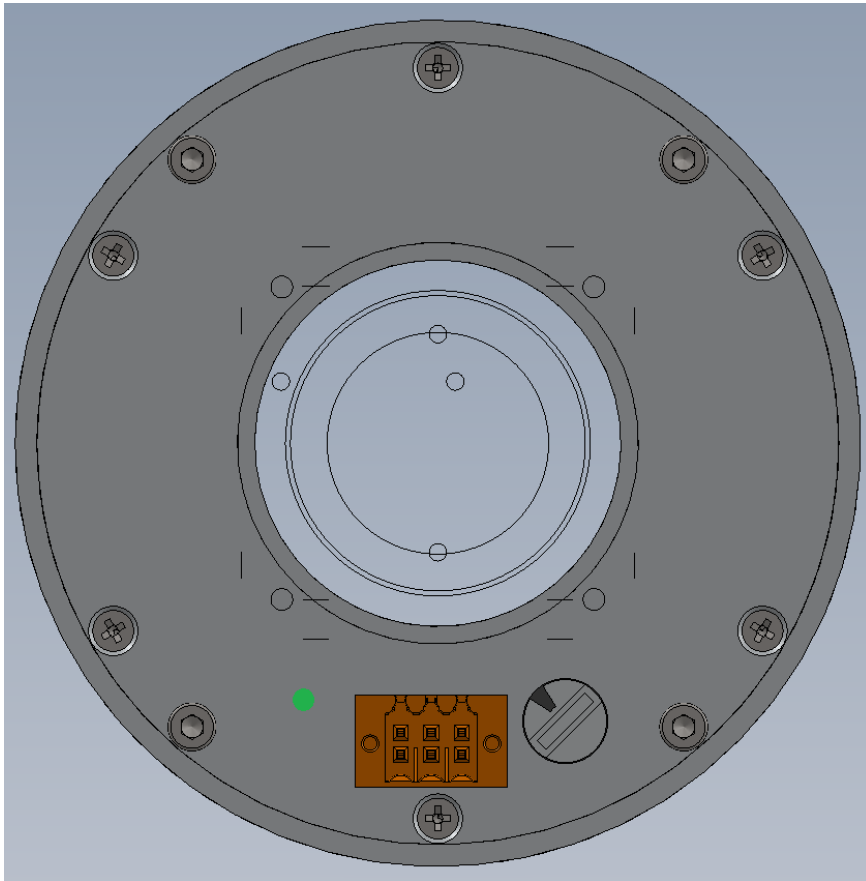
IMPERX offers a range of Standard Ring LED lights.

Available LED Colors:

- IR – 850 nm
- UV – 365 nm,
- White – 5650K
- RED – 627 nm
- Optional upon request
 - Yellow/Lime – 568 nm
 - Green – 530 nm
 - Blue – 470 nm (447 nm)



Non PoE LED Ring Light

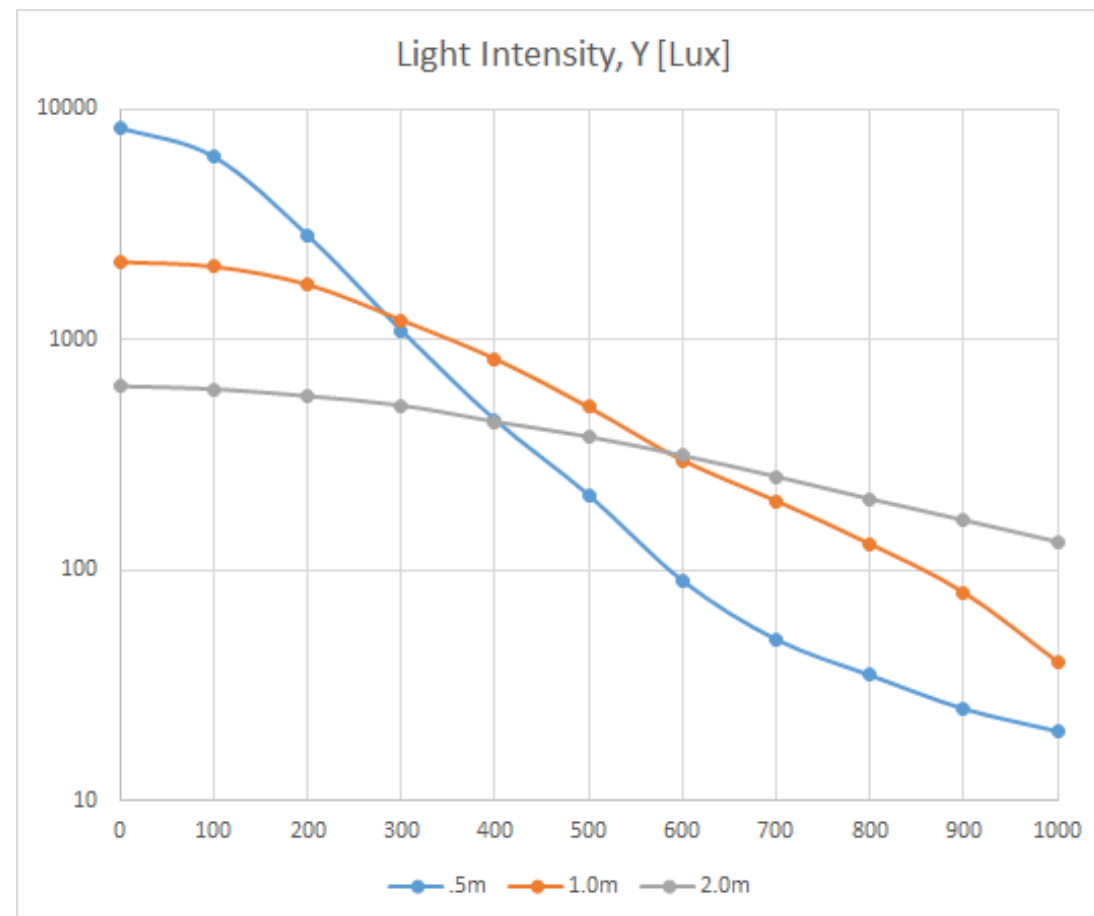
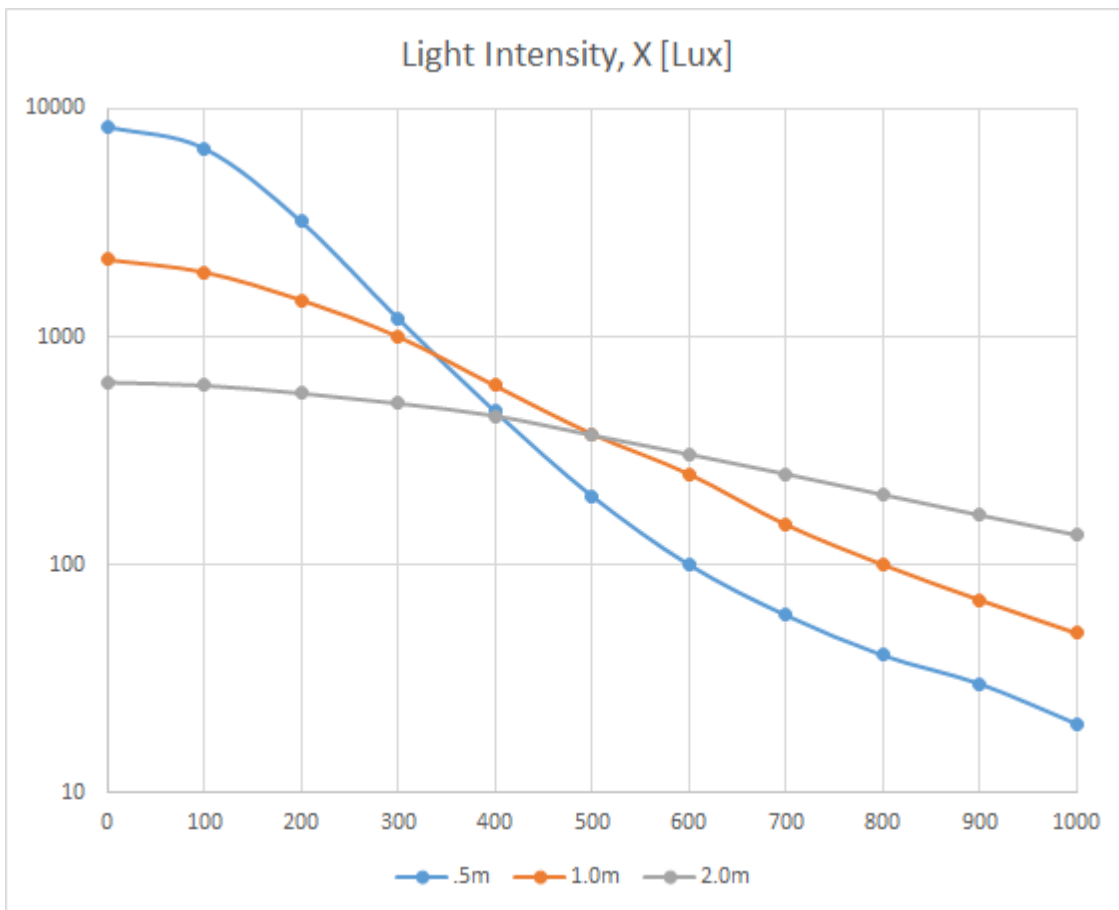


IMPERX Non PoE Ring LED Lights – universal camera interface

- Provides 12V/2A power to the camera
- LED brightness control from the camera
- Internal or External (PWM) brightness control
 - Continuous optical power – 10,000 lux/0.5m
 - Flash mode – 15,000 lux/0.5m
 - 16 brightness steps
- Two sizes
 - 90/45 (OD/ID) mm – available now
 - 130/80 (OD/ID) mm – coming soon (F mount)
- Thermal shutdown – LED temperature indicator
- M46/0.75 step ring interface for easy lens mount

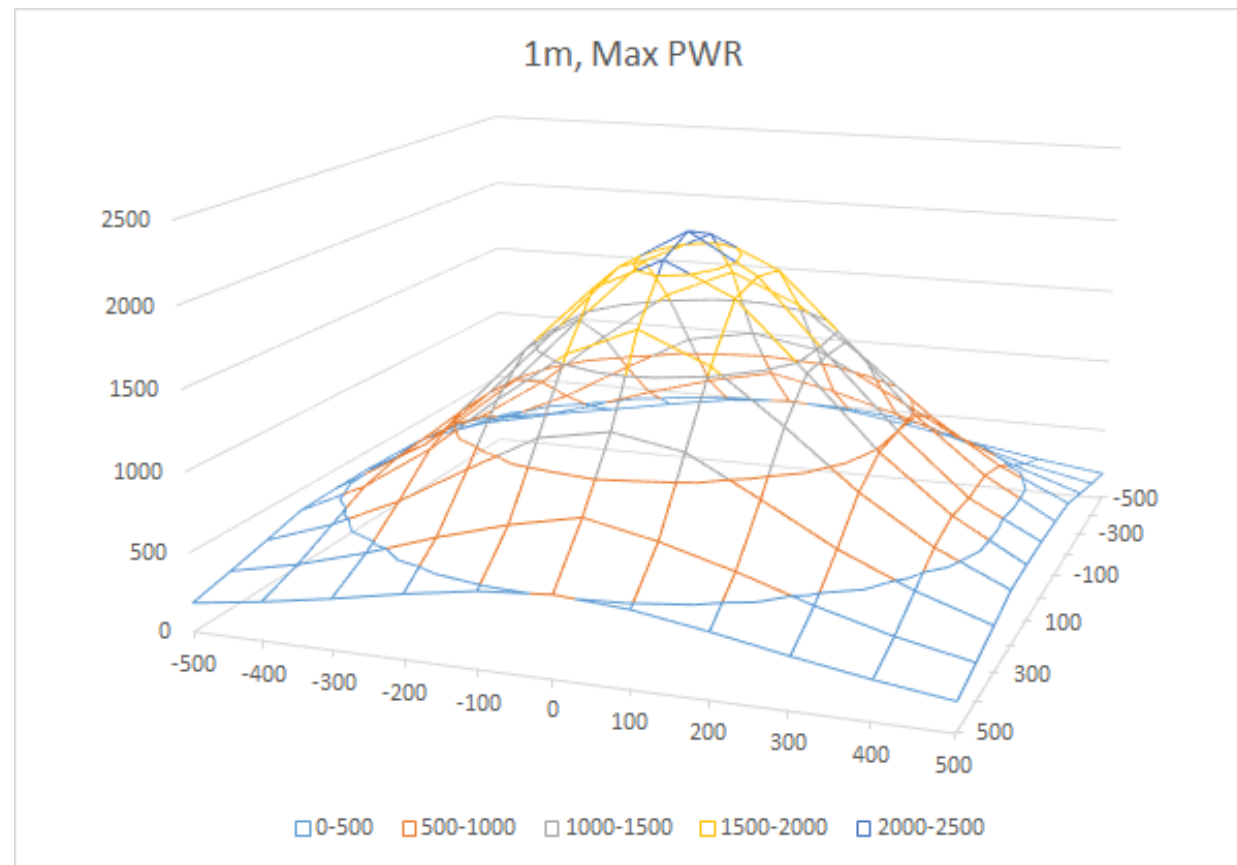
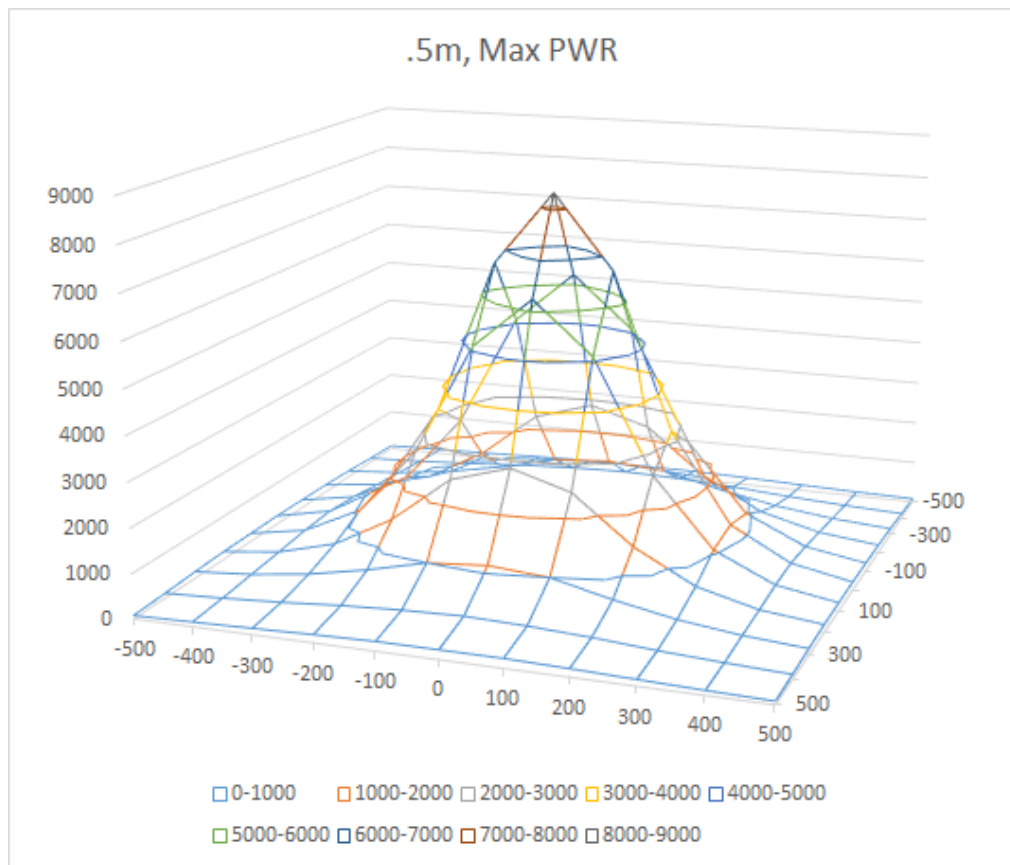


LED Ring Light Distribution



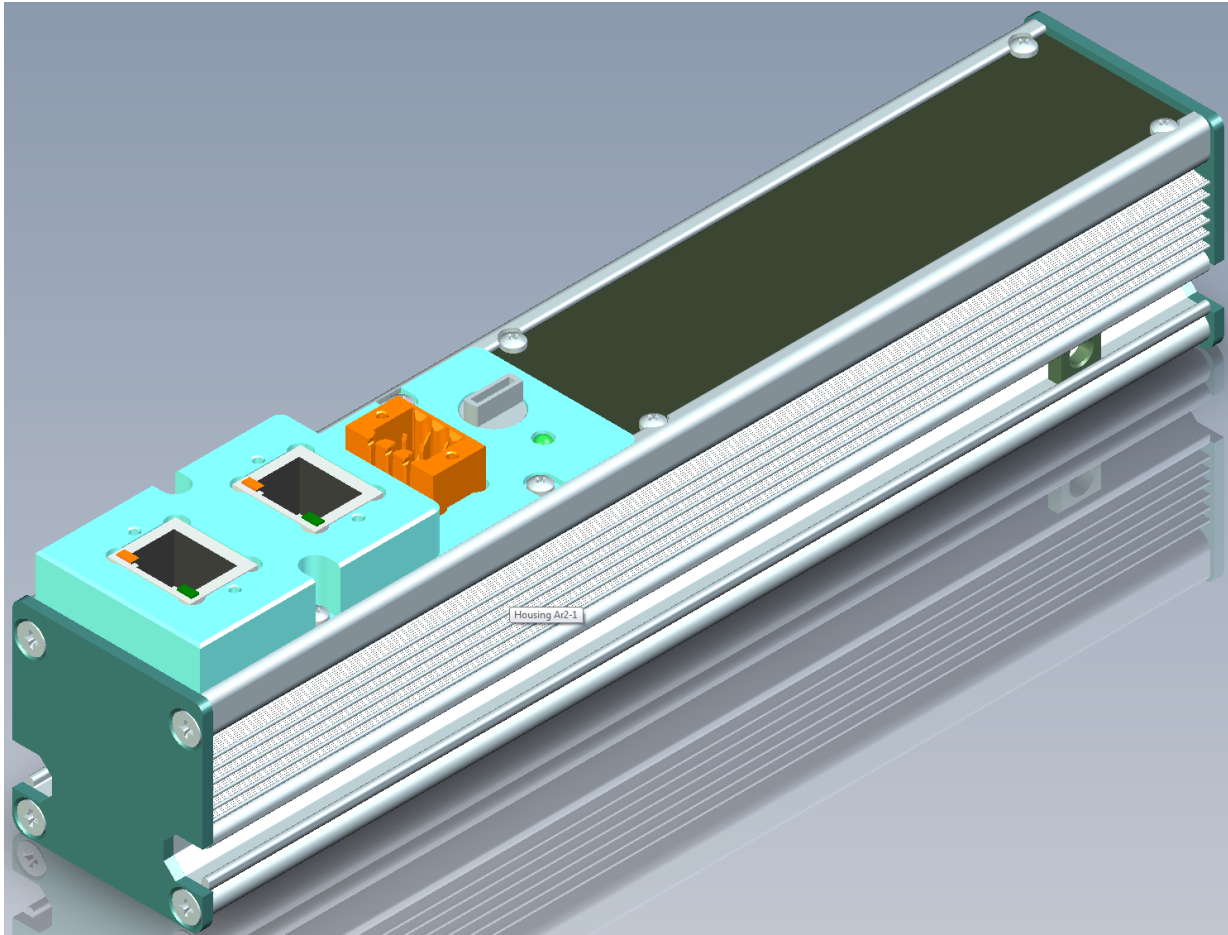


LED Ring Light Distribution





PoE Linear LED Light



IMPERX offers a range of **PoE powered*** Linear LED lights.

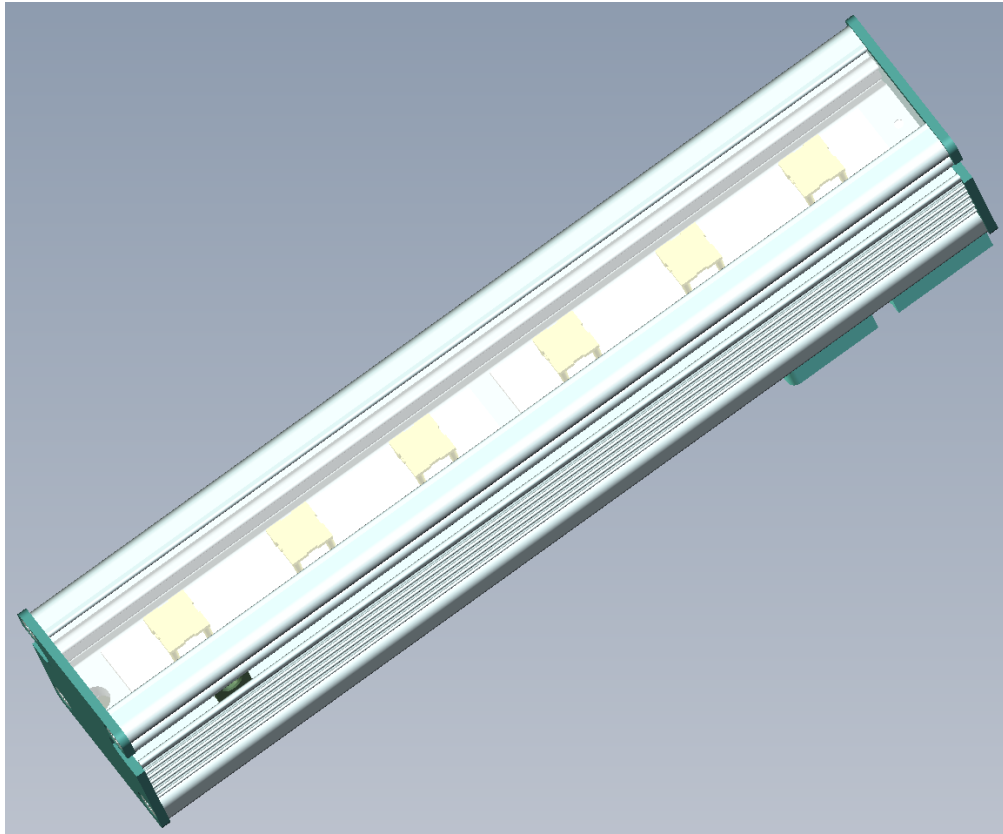
Available LED Colors:

- IR – 850 nm
- UV – 365 nm,
- White – 5650K
- RED – 627 nm
- Optional upon request
 - Yellow/Lime – 568 nm
 - Green – 530 nm
 - Blue – 470 nm (447 nm)

*** PoE LED Patent Pending**



PoE Linear LED Light

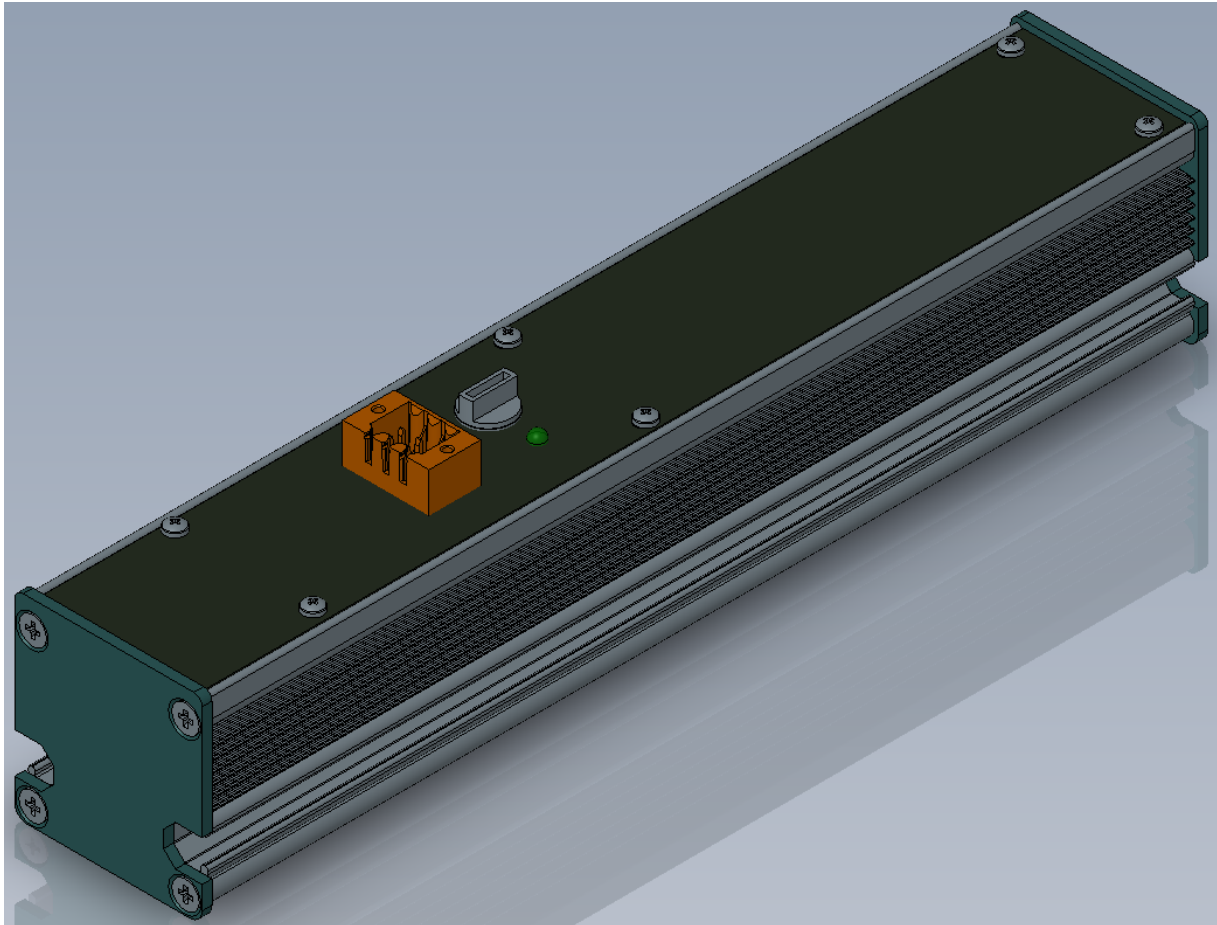


IMPERX PoE Linear LED Lights – one cable solution

- One CAT 5e/6 cable interface for Light and Camera
- Input – GigE PoE/PoE+;
- Output – GigE (DATA) and 20V/1A to the cameras
- Internal or External (PWM) brightness control
 - Continuous optical power – 10,000 lux/0.5m
 - 16 brightness steps
- LED brightness control from the camera
- 180 mm bar length
- Easy camera mount
- Thermal shutdown – LED temperature indicator



Non PoE Linear LED Light



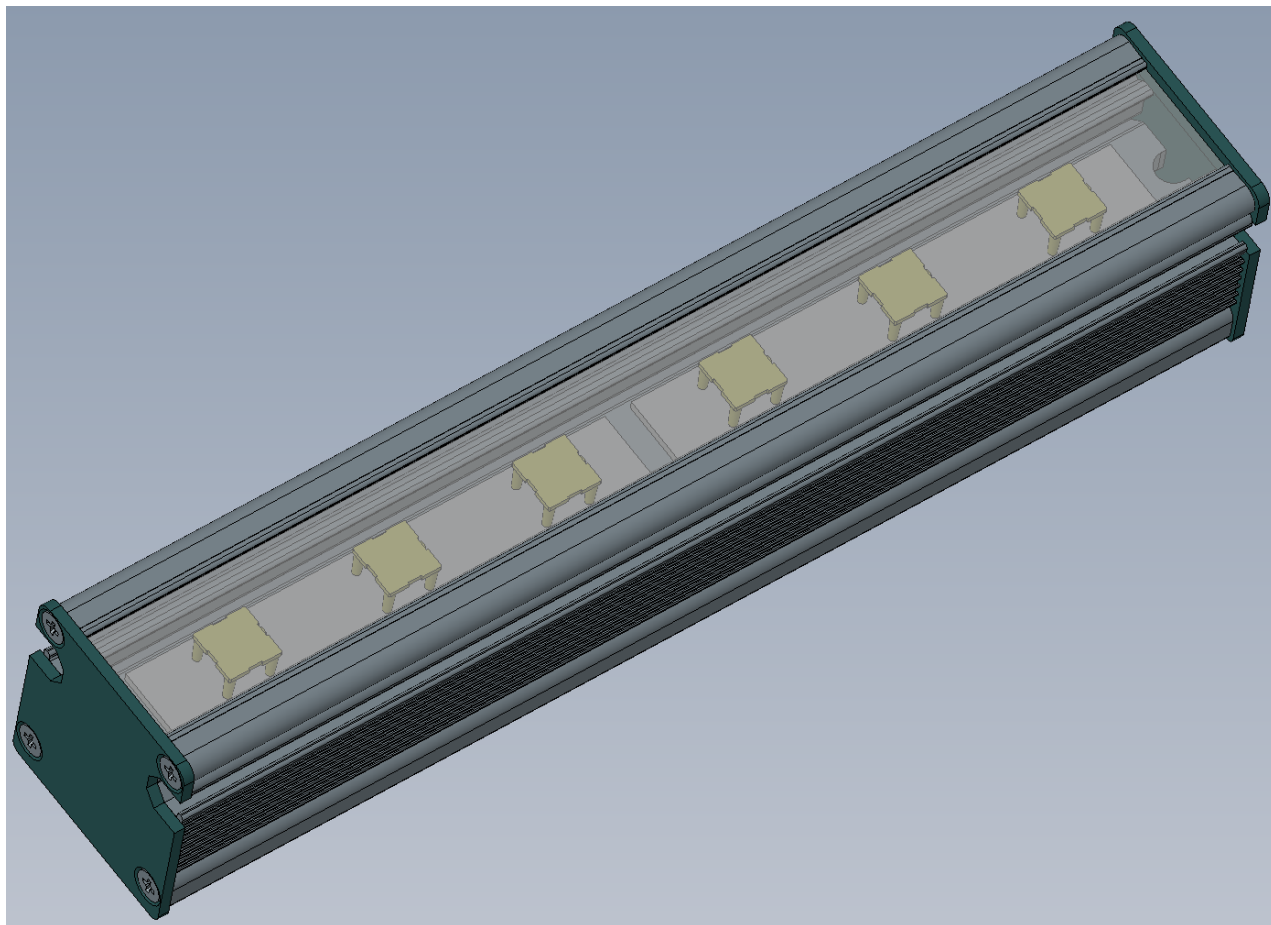
IMPERX offers a range of Standard Linear LED lights.

Available LED Colors:

- IR – 850 nm
- UV – 365 nm,
- White – 5650K
- RED – 627 nm
- Optional upon request
 - Yellow/Lime – 568 nm
 - Green – 530 nm
 - Blue – 470 nm (447 nm)



Non PoE Linear LED Light

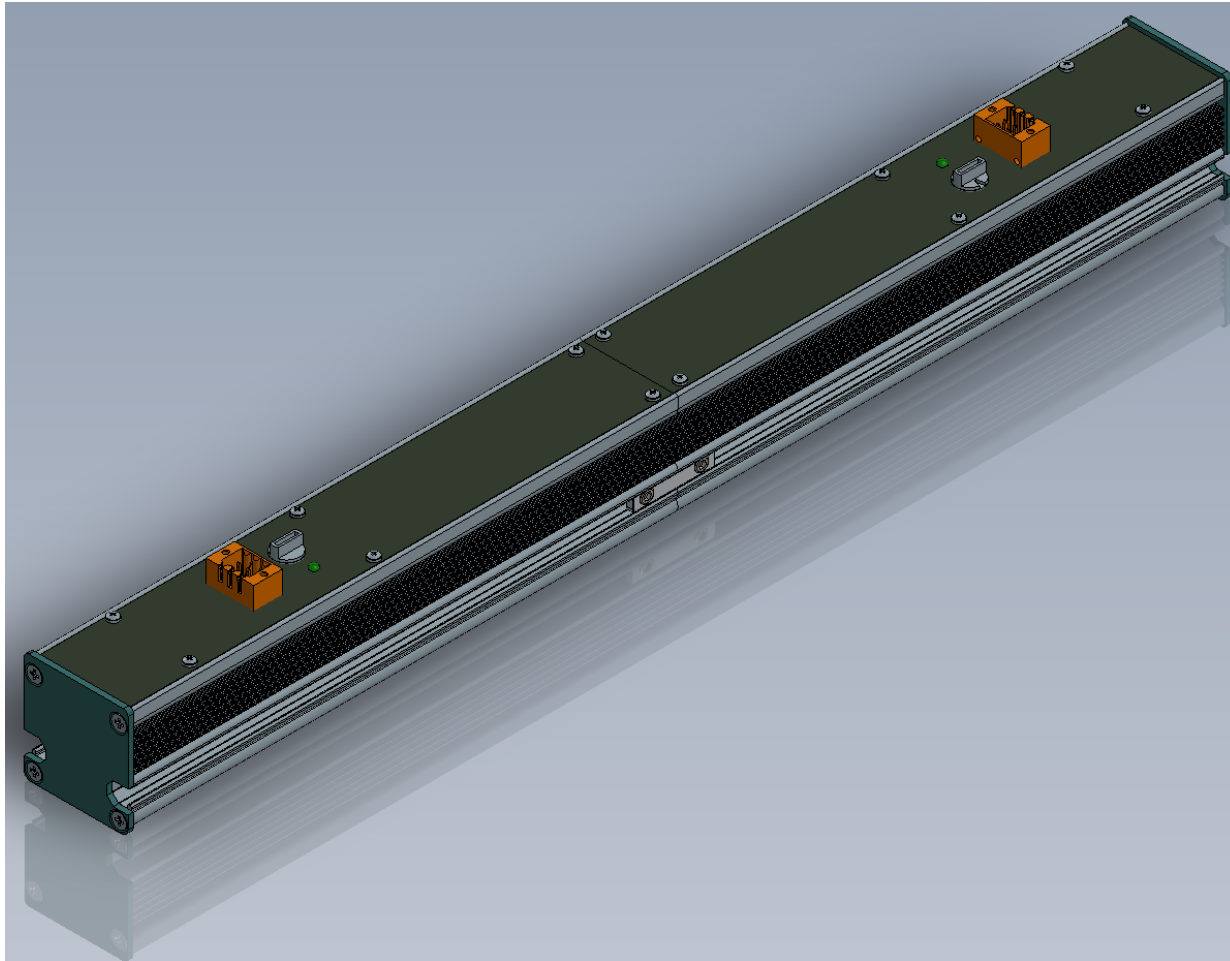


IMPERX Non PoE Linear LED Lights – universal camera interface

- Provides 12V/2A power to the camera
- LED brightness control from the camera
- Internal or External (PWM) brightness control
 - Continuous optical power – 10,000 lux/0.5m
 - Flash mode – 15,000 lux/0.5m
 - 16 brightness steps
- Thermal shutdown – LED temperature indicator
- 180 mm single bar length
- Easy camera mount

LED Linear Lights

Stackable Linear LED Light

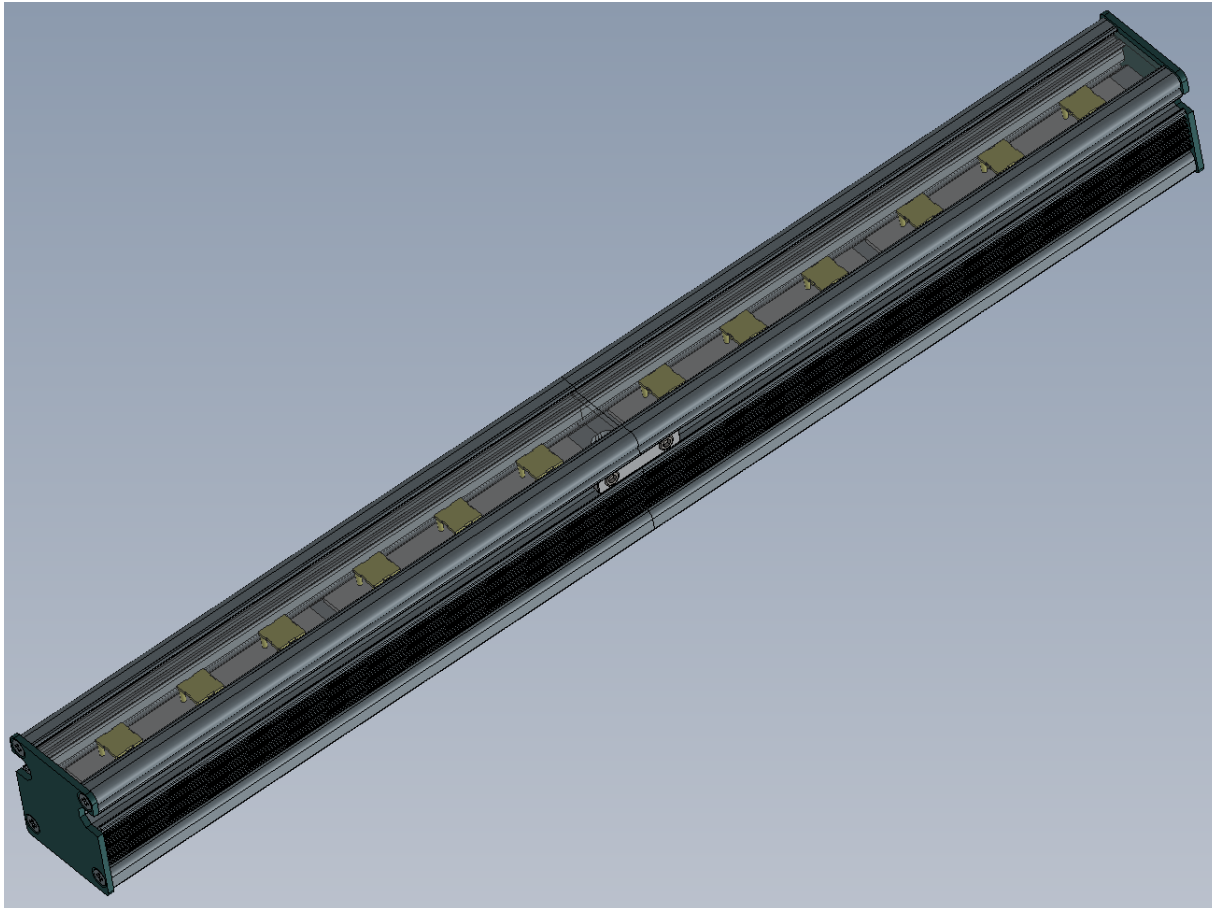


IMPERX Linear LED Lights – Stackable solution

- Stack as many bars as you need
 - Linear configuration
 - 2-D or 3-D arrangements
- Easy stacking
 - Common internal electrical bus
 - Easy mechanical assembly
- Only one power source required
 - Apply power to any module
 - Powers all modules
- All modules provide 12V/2A power to the camera



Stackable Linear LED Light



IMPERX Linear LED Lights – Stackable solution

- Continuous light distribution
- LED brightness control from the camera
 - Apply to any module
 - Control all modules
- External (PWM) brightness control
 - Apply the PWM to any module
 - Controls all modules
 - Individual PWM control possible
- Internal brightness control
 - Individual module brightness adjustment
 - 16 brightness steps
- Thermal shutdown – LED temperature indicator



Environmental Enclosures



IMPERX offers a range of environmental enclosures

- **Bobcat Camera Enclosures**
 - IP69 – hermetically sealed enclosures
 - IP67/55 – outdoor enclosures
 - Many options & configurations
- **Two enclosure sizes**
 - 70 mm for all small Bobcat cameras
 - 96 mm for all big Bobcat cameras



Airborne, Space & Underwater Cameras

This universal hermetically sealed, nitrogen filled enclosure, allows any small Bobcat 2.0 to be used in any airborne, space or underwater applications.

- With the internal pre-heating the housing can operate from -80°C to +85°C
- Suitable for very high altitude applications > 20 km altitude
- DO 160G Compliant (testing in progress)
- Big Bobcat Solution – coming soon



LED Light, Camera & Enclosures



PoE LED Light, Camera & Enclosure – one cable solution

This universal enclosure and LED combo allows any Bobcat 2.0 to be used in any a variety machine vision applications.

- Dust & contamination resistant
 - IP 69 Waterproof option available
- One CAT 5e/6 cable interface for Light & Camera
- Input – GigE PoE/PoE+
- Output:
 - GigE (DATA) from the camera
 - 20V/1A to the cameras
- Non PoE option available
- LED brightness control from the camera
 - LED Light On/OFF
 - Brightness PWM control